

THE PROPERTY OF THIS DRAWING IS ESTABLISHED BY LAW  
IT IS FORBIDDEN TO REPRODUCE IT OR SHOW IT TO THIRD PARTY  
WITHOUT A WRITTEN AGREEMENT.

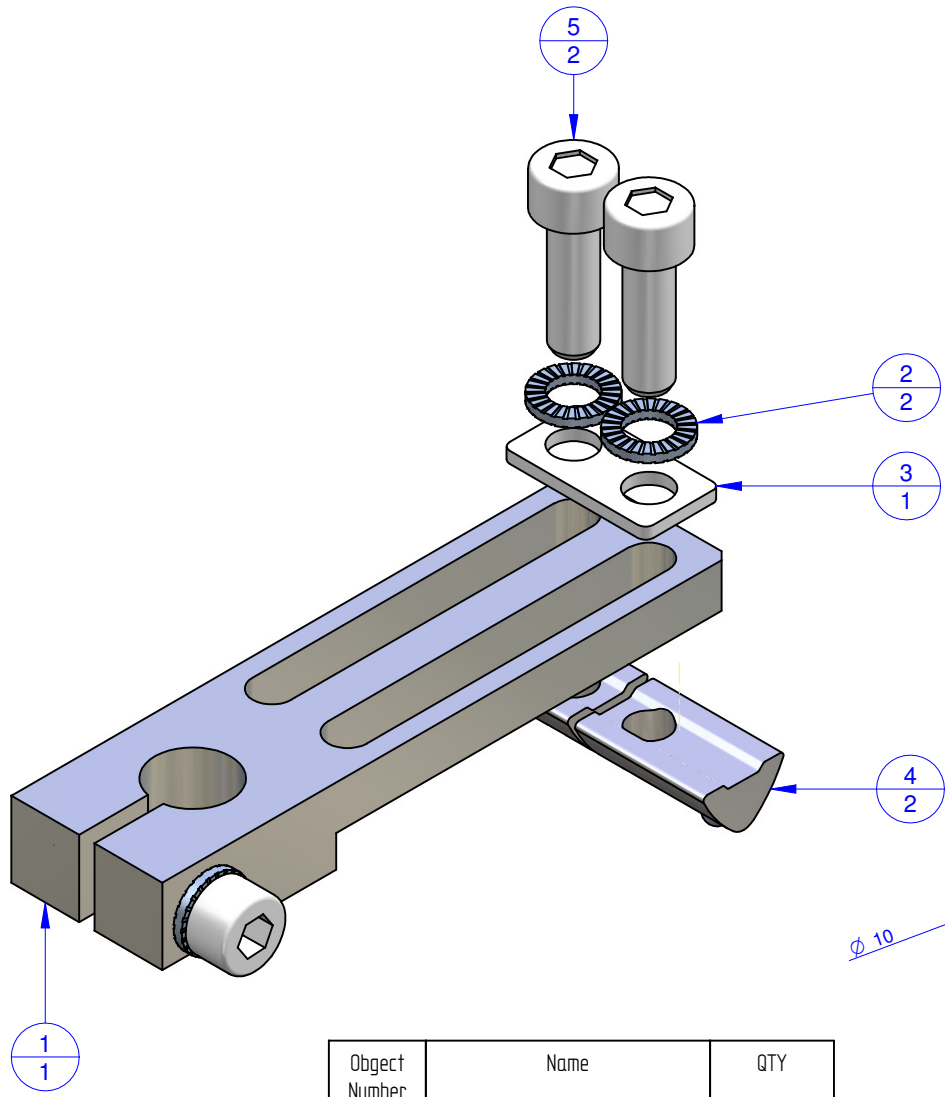
MODIFICATIONS: VARIED DIMENSIONS AS OF DATE:

7	10
8	11
9	12

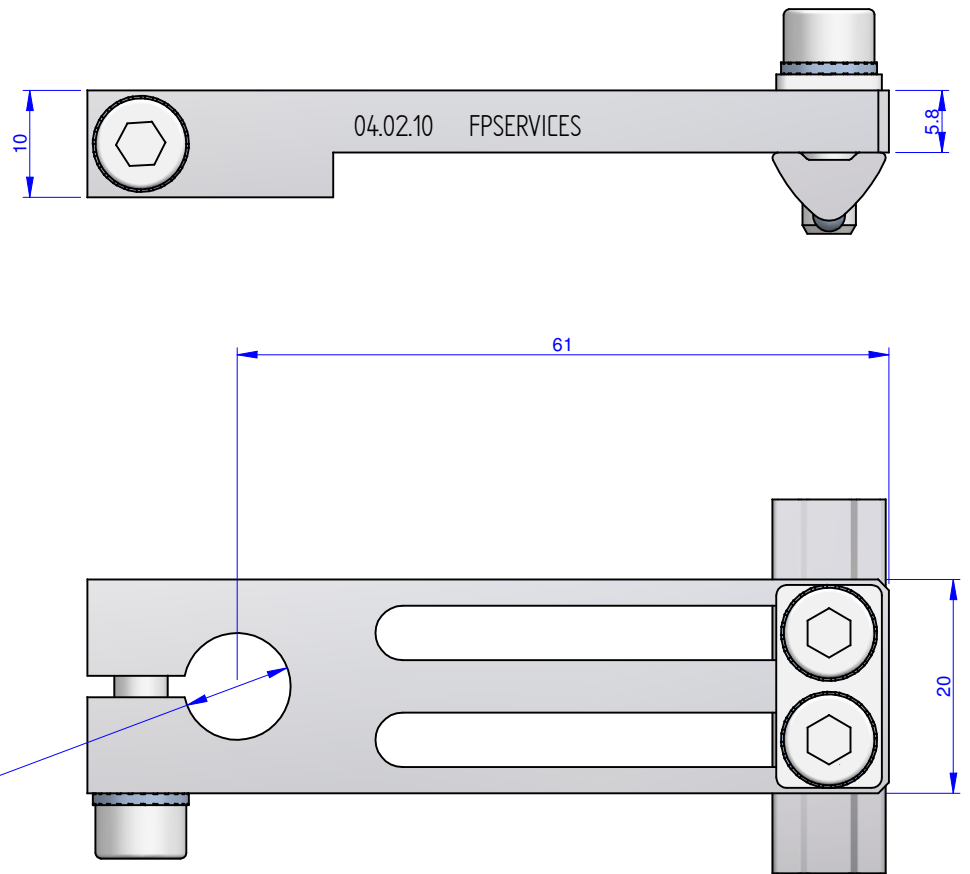
MODIFICATIONS: VARIED DIMENSIONS AS OF DATE:

1	4
2	5
3	6

Format **A3**  
UNI 936-76



Object Number	Name	QTY
1	CA.04.02.10	1
2	R.5.SCH	2
3	R.05.10	1
4	CA.02.05.005	2
5	V.TCE5X16	2



<b>FP Services</b> GENERAL TOLERANCE: UNI - ISO 2768 CLASSE f	DESCRIPTION	DESIGNED FROM FPSERVICES
		DATE 04/2014
		CODE <b>CA.04.02.10.6</b>

